

SLM
P L A S T İ K

ÜRÜN KATALOĞU

Protection Caps & PLugs

2024

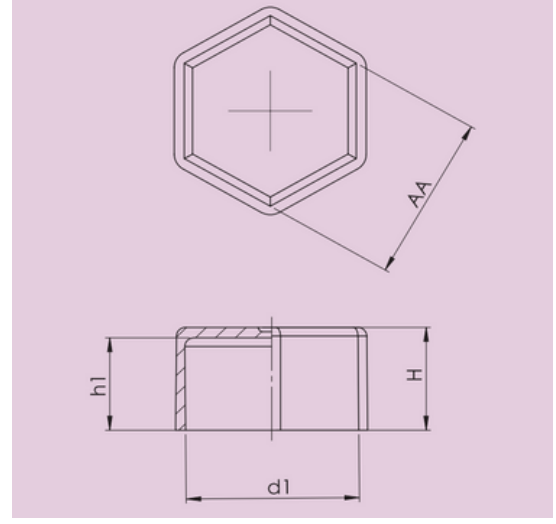


Kalite ve güveni birleştirdik

www.slmplastik.com

Altı Köşe Düz Kapaklar

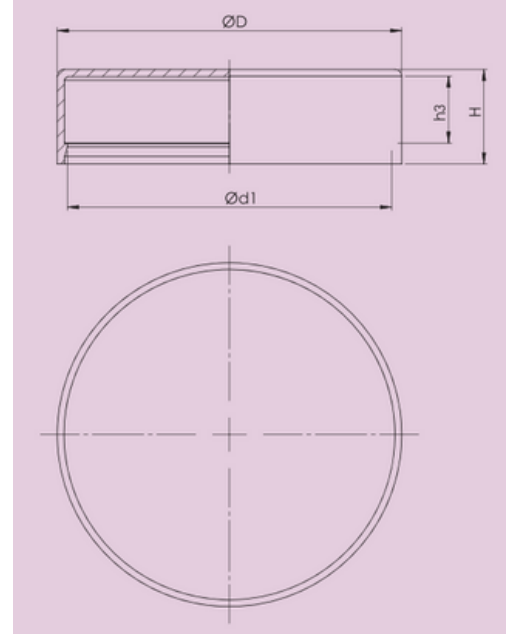
Hexagonal Push Fit Cap



Ürün Kodu Product Code	AA	D1	H1	H
AKDT14	14	16.5	9	10.3
AKDT16	16	18.5	10.5	12
AKDT17	17	19.5	11.2	12.8
AKDT19	19	21.5	12	13.4
AKDT22	22	24.5	11.7	13
AKDT24	24	26.3	11.5	13
AKDT27	27	29.6	13.5	15
AKDT30	30	32.5	14.5	16
AKDT32	32	34.3	14.8	16
AKDT36	36	39	18.8	20
AKDT42	42	42.75	18.5	20
AKDT46	46	48.7	21	23
AKDT50	50	52.7	22.8	24
AKDT55	55	57.6	23	24.5
AKDT60	60	62.7	23.5	25

Sae Flaş Kapaklar

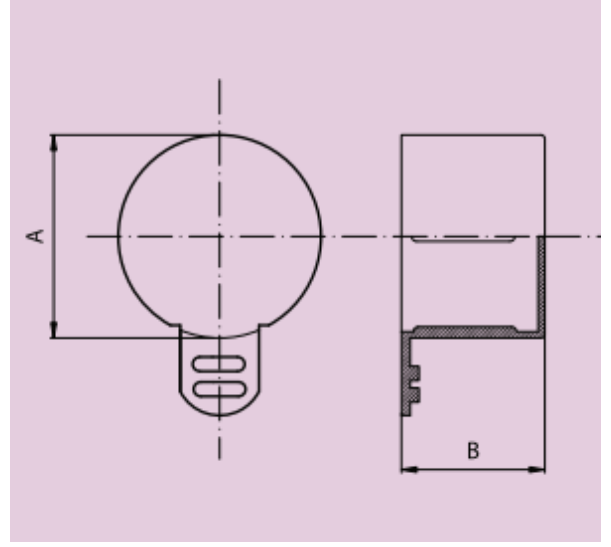
SAE Flange Caps



Ürün Kodu Product Code	BSP"	Flaş tipi Flange type	d1	D	h3	H
FK300030.2	1/2"	SAE 3000	30	32.7	6.9	11.3
FK300038.1	3/4"	SAE 3000	38	40	6.9	11.3
FK300044.4	1"	SAE 3000	44	47	8.1	12.5
FK300050.8	1-1/4"	SAE 3000	50	53.5	8.1	12.5
FK300060.3	1-1/2"	SAE 3000	60	63.5	9	14.8
FK300071.4	2"	SAE 3000	71	74.5	9.7	16.5
FK600032	1/2"	SAE 6000	32	34	7.9	12
FK600041.3	3/4"	SAE 6000	41	55	8.9	13.5
FK600047.6	1"	SAE 6000	47	50.3	9.7	14
FK600054	1-1/2"	SAE 6000	54	57	10.4	15
FK600063.5	1-1/2"	SAE 6000	63.5	67	12.7	19.5
FK600088.9	3"	SAE 6000	88.4	91	30	32

PVC Yumuşak Dişi Tapalar

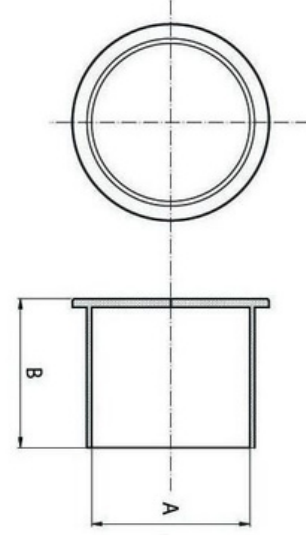
PVC Soft Female Plugs



Ürün Kodu Product Code	A	B
PVCDTM8	7.7	9.4
PVCDTM10	9.7	13.3
PVCDTM12	11.7	12.5
PVCDTM14	13.7	12
PVCDTM16	15.7	14
PVCDTM18	17.7	15.5
PVCDTM20	19.7	16
PVCDTM24	23.7	15.5
PVCDTM25	24.7	18.5
PVCDTM26.9	26.7	18.5
PVCDTM29	28.7	19
PVCDTM30	29.7	20.5
PVCDTM33.7	33.7	20
PVCDTM35	34.7	20.5

Silindirik Dişı Tapalar

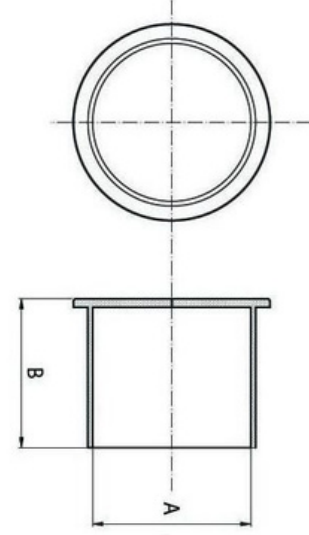
Cylindrical Plugs



Ürün Kodu Product Code	A	B
SLDM10	9.5	12
SLDM12	11.5	12
SLDM14	13.5	13
SLDM16	15.5	12
SLDM18	17.5	12
SLDM19	18.5	18.5
SLDM20	19.5	13
SLDM22	21.5	15
SLDM24	23.5	14
SLDM26	25.5	17
SLDM26.9	26.4	23
SLDM30	29.5	19.5
SLDM33	32.5	21.5
SLDM36	35.5	18.5
SLDM38	37.5	21
SLDM42	41.5	20
SLDM45	44.5	21
SLDM48	47.5	25
SLDM52	51	25

Silindirik Dişı Tapalar (BSP)

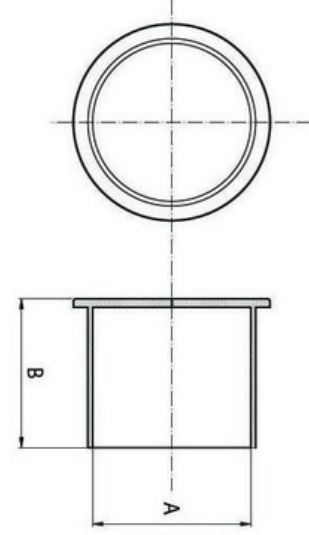
Cylindrical Plugs



Ürün Kodu Product Code	A	B
SLD1/8	9.5	12
SLD1/4	13	12
SLD3/8	15.5	12
SLD1/2	19.5	13
SLD5/8	21.5	15
SLD3/4	26.4	18
SLD1	32.5	21.5
SLD1-1/4	41.5	20
SLD1-1/2	47.5	25

Silindirik Diři Tapalar (UNF)

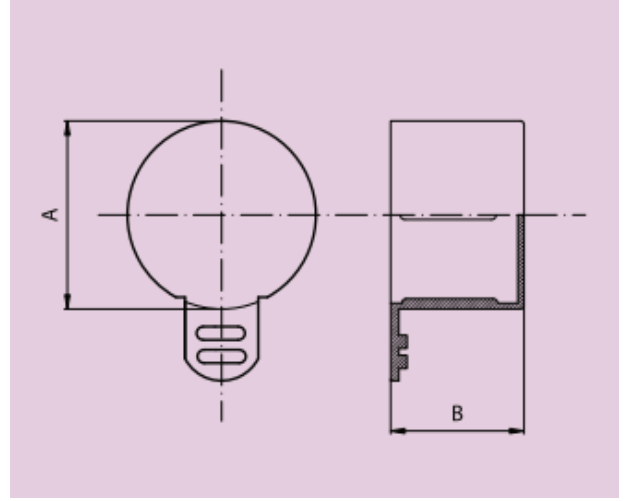
Cylindrical Plugs



Ürün Kodu Product Code	A	B
SLDU7/16	9.5	12
SLDU1/2	13	12
SLDU9/16	13.5	13
SLDU5/8	15.5	15
SLDU11/16	17.5	15
SLDU3/4	18.4	18.5
SLDU13/16	19.5	13
SLDU7/8	21.5	20
SLDU1	25.5	17
SLDU1-1/16	26.4	23
SLDU1-3/16	29.5	19.5
SLDU1-5/16	32.5	21.5
SLDU1-5/8	41.2	20
SLDU1-11/16	41.2	20
SLDU1-7/8	47.5	25
SLDU2	50.5	25

Plastik Dişi Kapaklar

Plastic Female Caps



Ürün Kodu Product Code	A	B
PLSDTM19	18.6	19.5
PLSDTM22	21.7	22
PLSDTM33.7	33	20.6
PLSDTUM8	8.2	9.25

PVC Yumuşak Dişi Tapalar

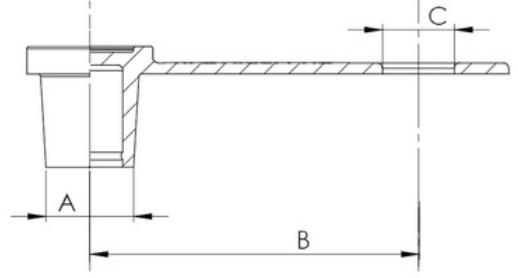
PVC Soft Female Plugs



Ürün Kodu Product Code	A	B
PVCDTUM12	11	18.5
PVCDTUM14	13.5	22
PVCDTUM16	15	22

Grasörlük Kapağı

Greaser Caps

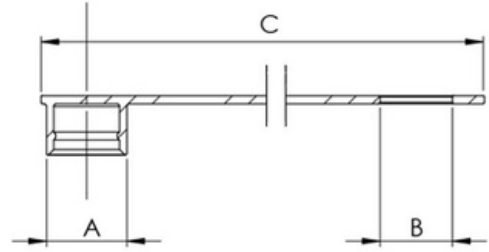


Ürün Kodu Product Code	A	B	C
GRS6	6	36	6



Toz Kapağı

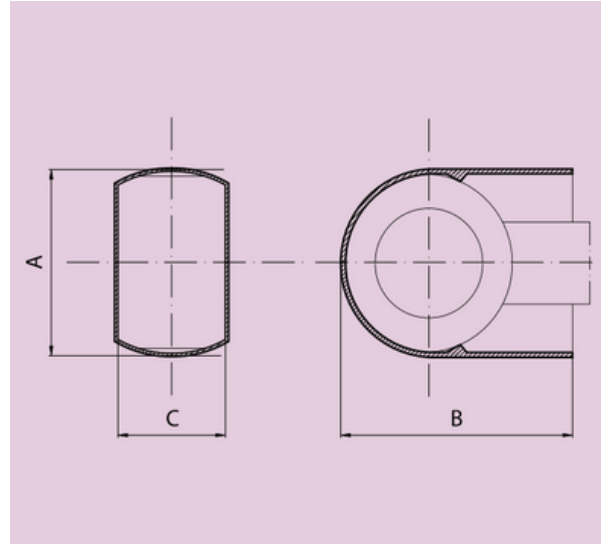
Dust Cover



Ürün Kodu Product Code	A	B	C
TZK16	15.75	16	98

Banjo Plastik Tapalar

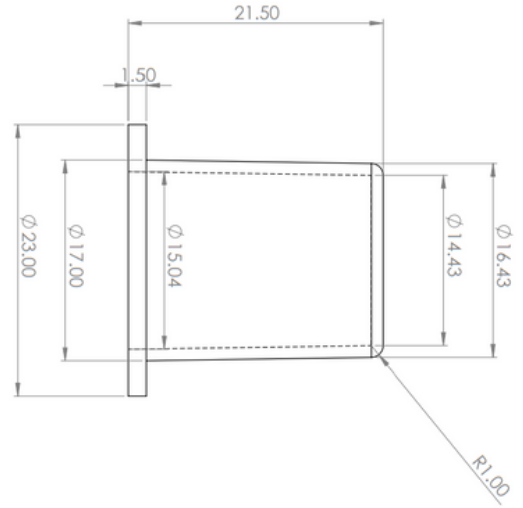
Plugs For Revolving



Ürün Kodu Product Code	A	B	C
PLSBNJ18	21	20.5	11.5
PLSBNJ20	22	20.5	12.5
PLSBNJ22	25.8	27	12.8
PLSBNJ24	26.8	29	15.6
PLSBNJ27	29	31	15.85
PLSBNJ28	31	31	17
PLSBNJ32	35	35.8	20.9
PLSBNJ35	37.55	37.5	21.5
PLSBNJ PVC35	37,55	37,5	21,5
PLSBNJ40	43	39	29

Banjo delik tapası

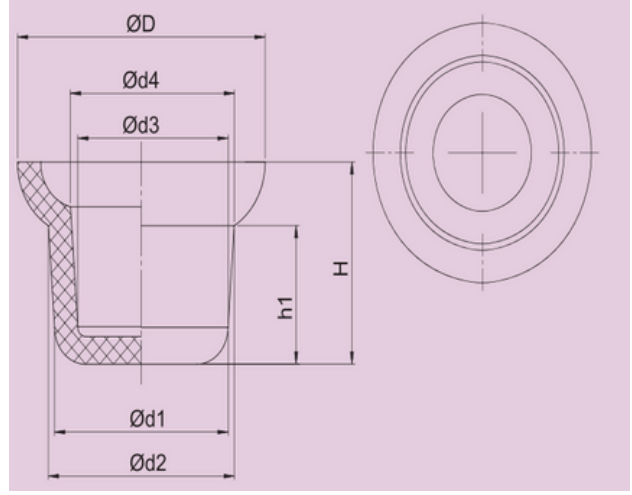
Banjo Male Hole Plugs



Ürün Kodu Product Code	A	B	C
BNJD10	10	14	20.8
BNJD12	12	14	21
BNJD14	15	21.5	22
BNJD15	15	21.5	22
BNJD16	16	21.5	23
BNJD18	18	23.5	25
BNJD22	22	25.5	29

Yumuşak Konik Tapalar

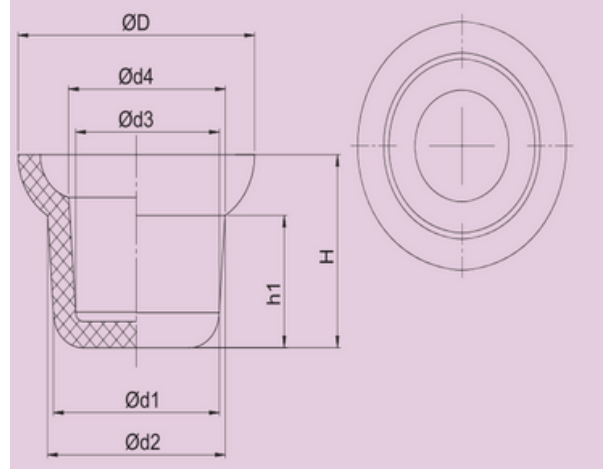
Soft Tapered Plugs



Ürün Kodu Product Code	D	d1	d2	d3	d4	h1	H
PVCET 1/8	14	8.8	9	6	6.3	6.5	11
PVCET 1/4	17	12	12	8.1	8.8	8	11.8
PVCET 3/8	20	15.5	16.5	11.8	12.2	10	13
PVCET 1/2	24	19	20	15	15.3	12	16
PVCET 3/4	31	23	25.5	18.5	21	13	18
PVCET 1	40	30	32.5	25	27.5	23	20
PVCET 1-1/4	50	38	41	33.5	37	23	27

Yumuşak Düz Tapalar

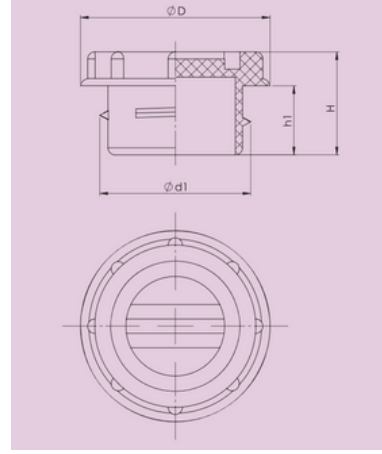
Soft Flat Plugs



Ürün Kodu Product Code	D	d1	d2	d3	d4	h1	H
PVCET 1/8	14	8.8	9	6	6.3	6.5	11
PVCET 1/4	17	12	12	8.1	8.8	8	11.8
PVCET 3/8	20	15.5	16.5	11.8	12.2	10	13
PVCET 1/2	24	19	20	15	15.3	12	16
PVCET 3/4	31	23	25.5	18.5	21	13	18
PVCET 1	40	30	32.5	25	27.5	23	20

Parça Vidalı Tapalar

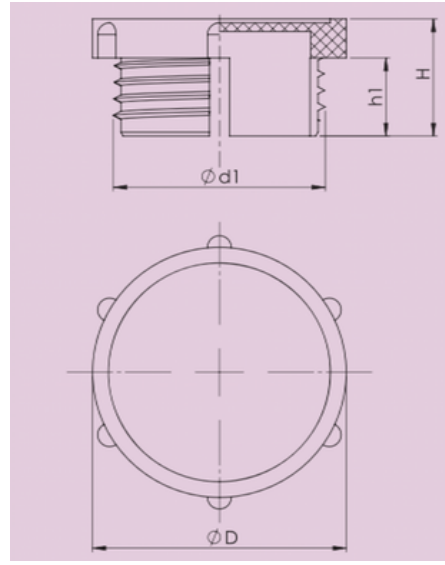
Screw Plugs



Ürün Kodu Product Code	d1	D	h1	H
PLSVT 1/4	1/4"	18.5	10	15
PLSVT 3/8	3/8"	21.5	10	15
PLSVT 1/2	1/2"	26.5	10	15
PLSVT 3/4	3/4"	31.5	12	17
PLSVT 1	1"	40	12	17
PLSVT 1-1/4	1-1/4"	50	12.5	17.5
PLSVT 1-1/2	1-1/2"	55	13.5	18

Vidalı-Yarıklı Tapalar

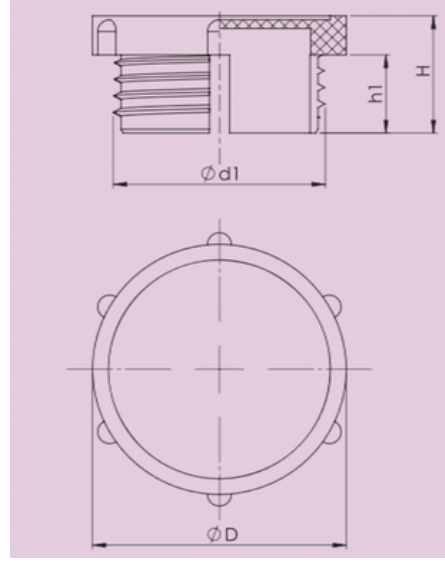
Male Cuted Threaded Plugs



Ürün Kodu Product Code	d1	D	h1	H
VYTM12	M12*1.5	16	5	9
VYTM14	M14*1.5	19	5.5	9.3
VYTM16	M16*1.5	22	9.7	14
VYTM18	M18*1.5	24	9.5	14
VYTM20	M20*1.5	26	10	14.7
VYTM22	M22*1.5	28	9	14
VYTM24	M24*1.5	29	10	14
VYTM26	M26*1.5	30	9	15
VYTM30	M30*1.5	36	10	15
VYTM36	M36*2	40	10	15.7
VYTM42	M42*2	50	11.5	17.5
VYTM45	M45*2	50	12	18
VYTM52	M52*2	60	12	18
VYTM34	3/4"-16UNF	26	10	14.7

Vidalı-Yarıklı Tapalar (BSP)

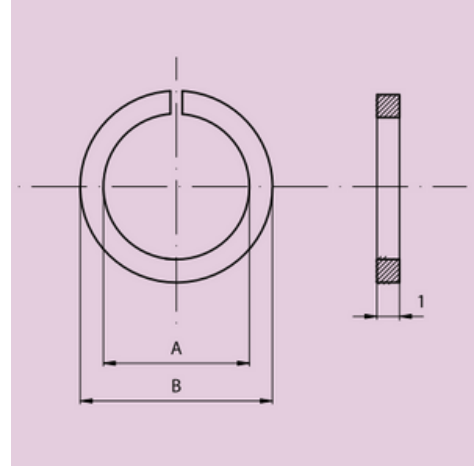
Male Cuted Threaded Plugs



Ürün Kodu Product Code	d1	D	h1	H
VYTB1/4	1/4	17.5	8	12
VYTB3/8	3/8	20	8	12
VYTB1/2	1/2	26	9.5	14.5
VYTB3/4	3/4	30	10	15
VYTB1	1	40	10	16
VYTB1-1/4	1-1/4	50	10	18
VYTB1-1/2	1-1/2	58	10	18
VYTB2	2	70	12	18

Flaş Oringleri

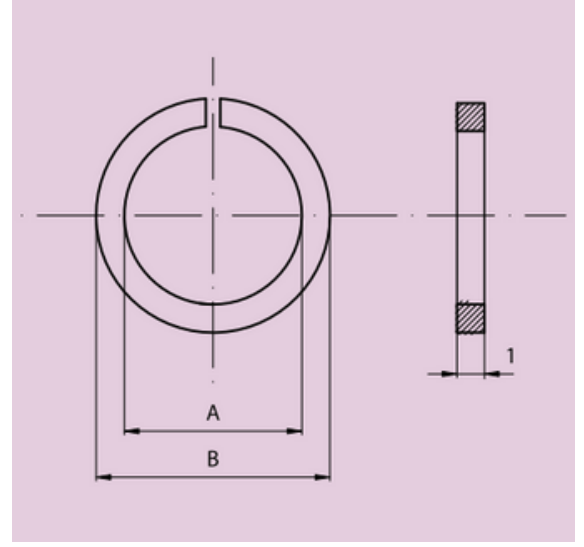
Flange Orings



Ürün Kodu Product Code	Ürün Adı Product Name	A	B	C
FLŞORG 30/34	30/34 Flaş Oringi	19	26	3.5
FLŞORG 38/41	38/41 Flaş Oringi	25	32	3.5
FLŞORG 44/48	44/48 Flaş Oringi	33	40	3.5
FLŞORG 50/54	50/54 Flaş Oringi	38	45	3.5
FLŞORG 60	60 Flaş Oringi	48	55	3.5
FLŞORG 71.4	71 Flaş Oringi	56	63	3.5
FLŞORG K38/41	38/41 Flaş Oringi	25	32	5
FLŞORG K44/48	44/48 Flaş Oringi	33	40	5
FLŞORG K50/54	50/54 Flaş Oringi	38	45	5
FLŞORG K63.5	63.5 Flaş Oringi	45	52	5

Plastik Segman

Nut Stopper Rings



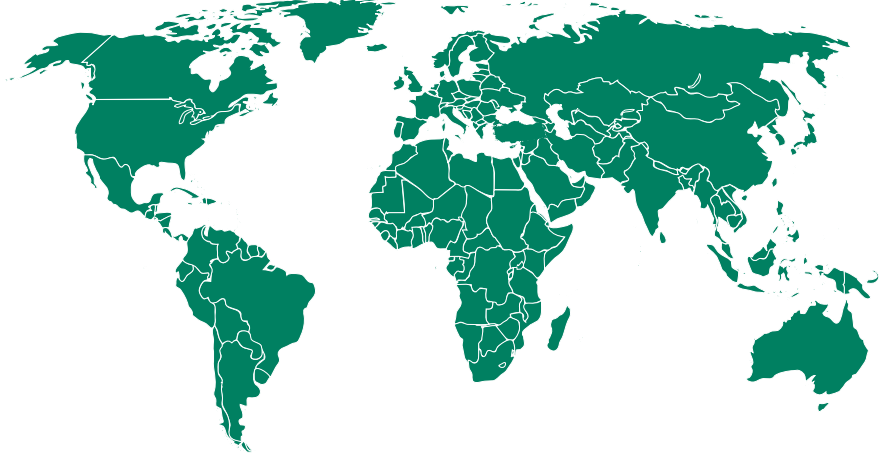
Ürün Kodu Product Code	dI	A	B	C
PLSSEG316	3/16	5.8	12.5	1
PLSSEG14	1/4	8.2	16.5	1
PLSSEG516	5/16	9.8	17.5	1
PLSSEG38	3/8	10.6	19	1
PLSSEG12	1/2	14.8	22.7	1
PLSSEG58	5/8	17	27	1
PLSSEG34	3/4	21.2	30.6	1
PLSSEG100	1	28.3	37.7	1
PLSSEG114	1-1/4	33	46.7	1
PLSSEG112	1-1/2	48.2	48.2	1

Spiral Hortum Koruma

Spiral Hose Protection



Ürün Kodu Product Code	A	B	C
HKSPR0812	8	12	35
HKSPR1316	13	16	64
HKSPR1620	16	20	106
HKSPR2025	20	25	166
HKSPR2732	27	32	217



: <https://www.slmplastik.com/>

SLM
P L A S T I K

SLM PLASTİK HİDROLİK OTOMOTİV LTD. ŞTİ.
İVEDİK OSB 1352 cad no 4 Yenimahalle / Ankara -
TURKEY

Phone :+90 546 289 64 79

Web :<https://www.slmplastik.com/>

e-mail : info@slmplastik.com